



Integrated systems for the production

ORION



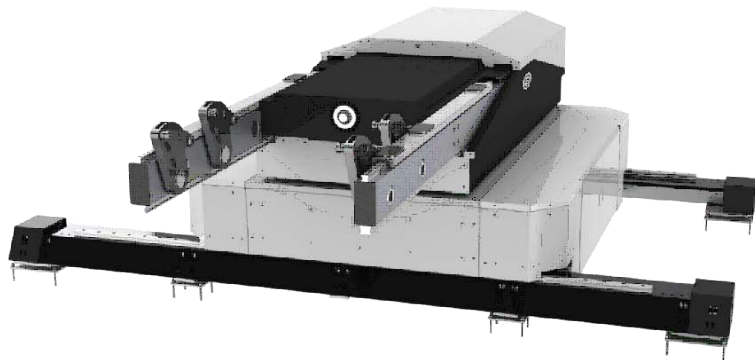
Rotary

Single machine

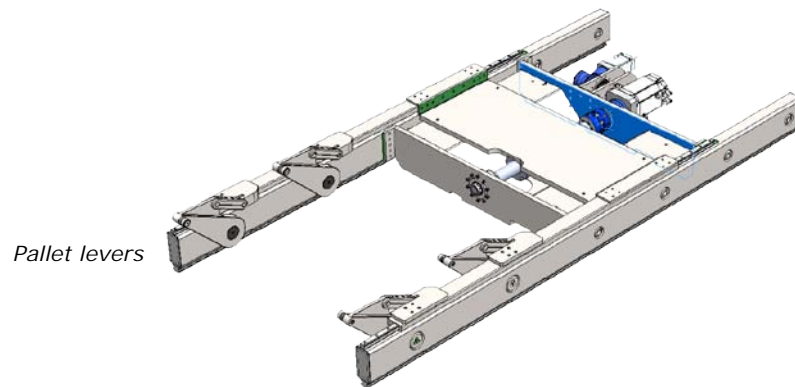
Integrated systems for production

Linear

Multi machines

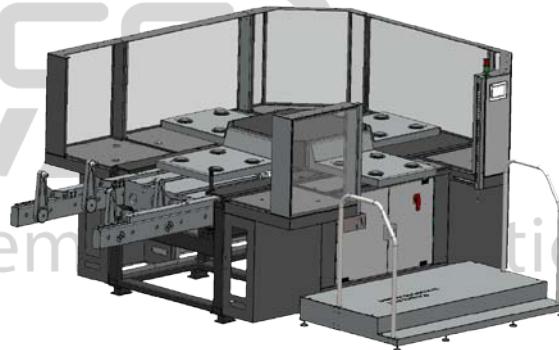


- **PIECE WEIGHT:**
From 500 to 10000 [kg]
- **PALLET RANGE:**
From 500 X 500 to 1200 X 1200 [mm]
- Single-level storage with controlled electrical axis.
- Control FCS PLC System with Profibus communication and LCD touch terminal.
- Brushless motors.



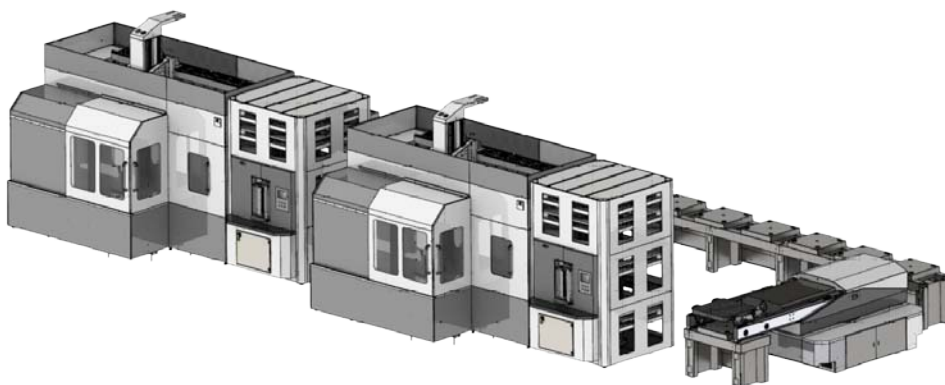
Rotary

- Load/unload pallet station
- Numbers of positions: 4 – 8

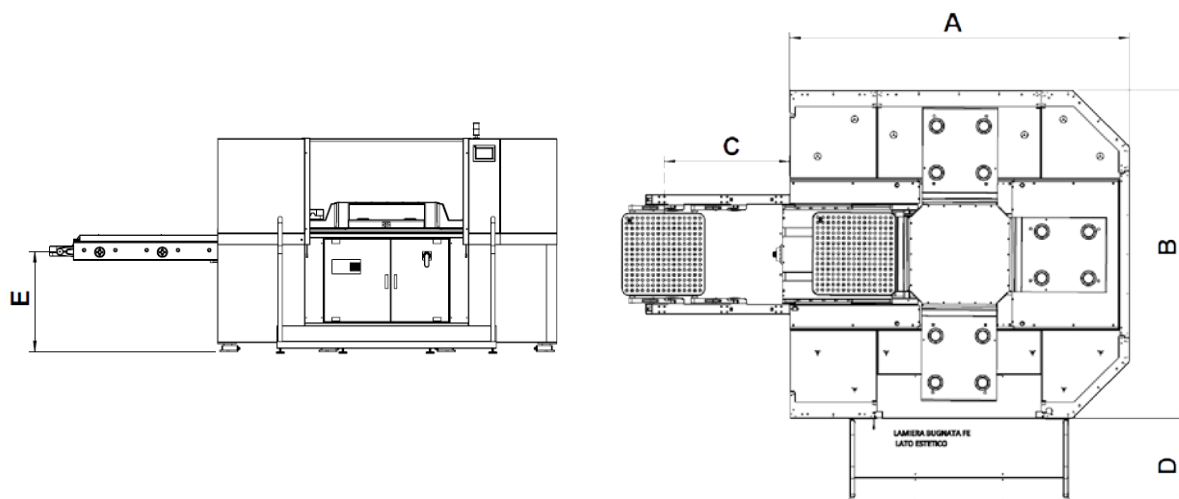


Linear

- Quantity of the pallet storage can be customized on a single level

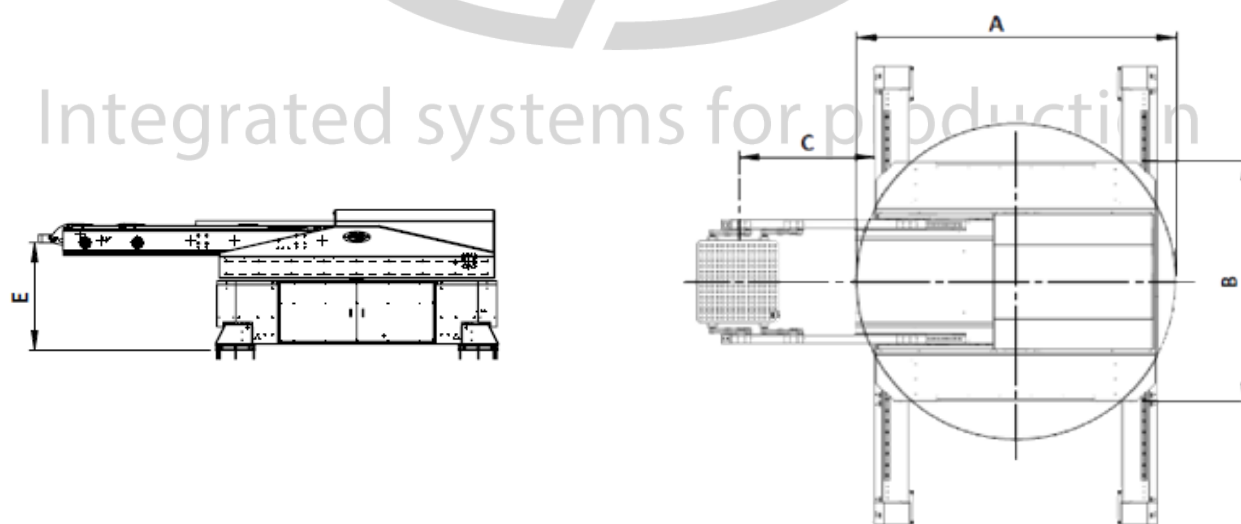


TECHNICAL INFORMATION



Rotary Mod.	A	B	C ^{MAX} (Standard)*	D	E (Standard)*	Weight capacity	Pallet Dimension
	[mm]	[mm]	[mm]	[mm]	[mm]	[kg]	[mm]
500	3250	3200	1200	800	950	1000	500x500
800	3250	3200	1200	800	950	2000	800x800
1000	4000	4000	1400	800	950	5000	1000x1000
1200	4500	4500	1400	800	950	8000	1200x1200

* Height (E) and length out levers (C) can be adapted to the characteristics of the machine associated



Linear Mod.	A	B	C ^{MAX} (Standard)*	E (Standard)*	Weight capacity	Pallet Dimension
	[mm]	[mm]	[mm]	[mm]	[kg]	[mm]
500	3100	2300	1200	1000	1000	500x500
800	3100	2300	1200	1000	2000	800x800
1000	3500	2200	1700	1000	5000	1000x1000
1200	3500	2200	1700	1000	8000	1200x1200

* Height (E) and length out levers (C) can be adapted to the characteristics of the machine associated